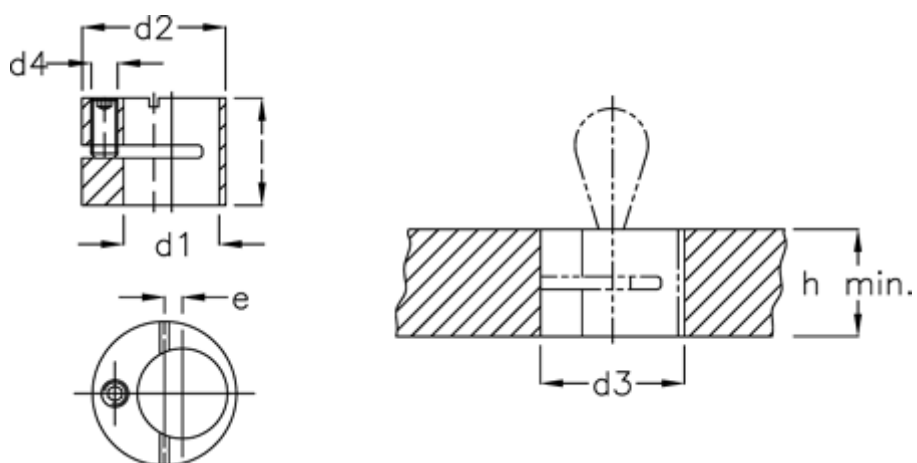


Article number: 20938008

Description: E+G  
Eccentric bushing GN 715.2-10

## Measures



d1	= 10
d2	= 16
d3	= 16
d4	= M4
e	= 2
For spring plunger	= 5/6
H min	= 12
l	= 11.9